

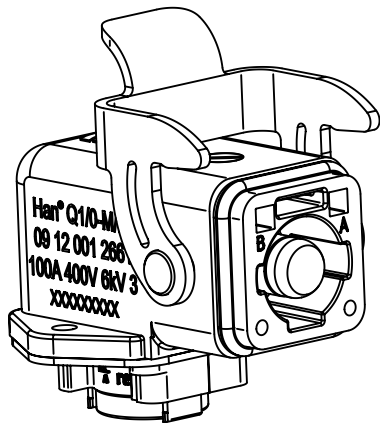
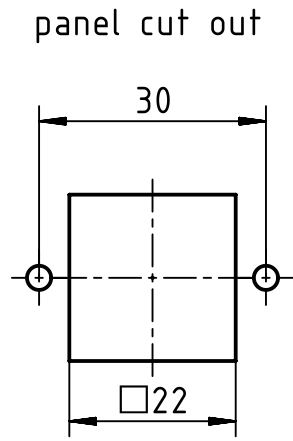
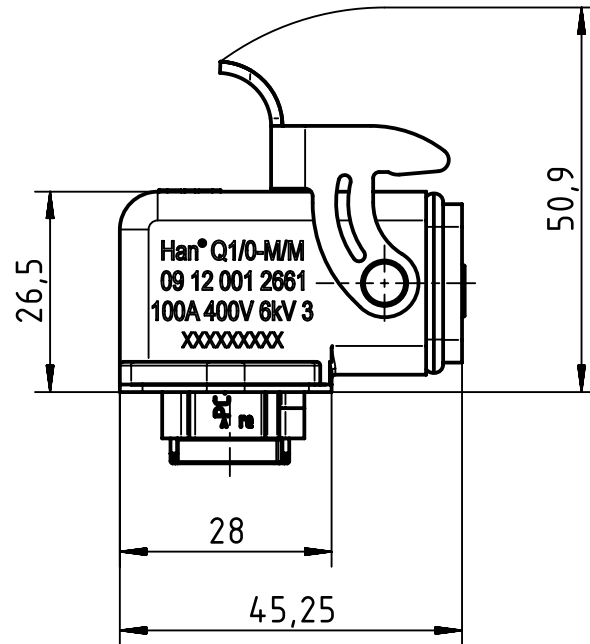
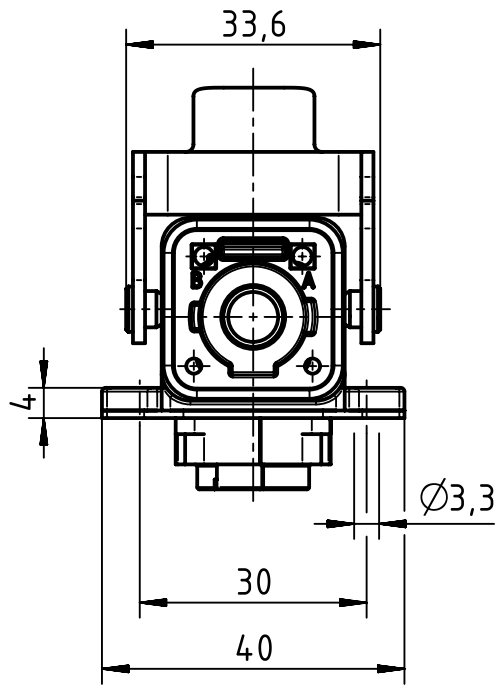
1 2 3 4 5 6

A

B

C

D



	All rights reserved Department EL PD - DE	All Dimensions in mm Original Size DIN A4		Scale 1:1	Free size tol.	Ref.	
		HARTING Electric GmbH & Co. KG D-32339 Espelkamp		Created by DEIMEL	Inspected by LOETKEMANN	Standardisation RUETERA	Date 2017-08-08
		Title Han Q1/0-M/M with housing (HBMA, black)				State Final Release	
		Type TB				Number 09 12 001 2661	Doc-Key / ECM-Nr. 100642727/UGD/001/F 500000123572
						Rev. F	Page 1/1